

THE
SKANDIK
COLLECTION



20L 800W MICROWAVE

with defrost setting

**2 YEAR
WARRANTY**

Terms and conditions apply.

Important Safeguards

When using electrical appliances, basic safety precautions should always be followed. These instructions should be saved for future reference:

- Read and familiarise yourself with all operating instructions before using this microwave oven.
- Before plugging your unit into the mains, visually check that the unit is intact and has not suffered any transit damage.
- Check that the voltage indicated on the data plate corresponds with that of the local network before connecting the appliance to the mains power supply.
- Close supervision is required when using this appliance near children.
- This appliance can be used by children aged from 8 years and above and persons with reduced physical, sensory or mental capabilities or lack of experience and knowledge if they have been given supervision or instruction concerning use of the appliance in a safe way and understand the hazards involved. Children shall not play with the appliance. Cleaning and user maintenance shall not be made by children unless they are older than 8 and supervised.
- Keep the appliance and its cord out of reach of children less than 8 years.
- Do not touch hot surfaces. The outer surfaces are liable to get hot during use. Always use the handles and knobs.
- Do not immerse the appliance or its cord in water or any other liquids.
- Do not leave the appliance unattended during use.
- Do not leave the appliance unattended whilst connected to the mains supply.
- Always use this appliance on a solid, level, non-flammable surface.
- Do not use this appliance outdoors.
- Do not use this Microwave Oven with a programmer, timer,

separate remote-control system or any other device that switches the appliance on automatically.

- It is imperative to unplug the power cord after the appliance has been used, before it is cleaned and whilst being repaired.
- Repairs to electrical appliances should only be performed by a qualified electrician. Improper repairs may place user at serious risk.
- Do not operate this appliance with a damaged plug or cord, after a malfunction or after being dropped or damaged in any way.
- Regular, periodic checks should be carried out on the mains cable to ensure no damage is evident. Should there be any signs of damage the appliance should not be used.
- If the power cable is damaged, it should only be replaced by the manufacturer or a suitable qualified after-sales-service in order to avoid a hazard.
- Do not allow the mains cable to hang over sharp edges or come in contact with hot surfaces.
- Do not run the mains cable under carpets, rugs, etc.
- Allow the unit to cool before storage.
- Before cleaning, disconnect the appliance from the mains supply and allow to cool.
- This appliance is intended for household use only and should not be used for industrial purposes.
- Do not use any accessories or attachments with this appliance other than those supplied or recommended by supplier.
- Do not use this appliance for anything other than its intended use.
- Do not push objects into any openings as damage to the appliance and/or electric shock may occur.
- Ensure appliance is situated in an open area, do not allow it to come in contact with Cupboards, Curtains, wall coverings, clothing or other flammable materials.
- Unplug after each use. Grasp the plug, not the cord.

- Metallic containers for food and beverages are not allowed during microwave cooking.
- When heating food in plastic containers or paper containers, keep an eye on the oven due to the possibility of ignition.
- The contents of feeding bottles and baby food jars shall be stirred or shaken and the temperature checked before consumption, in order to avoid burns.
- This appliance shall not be cleaned with a steam cleaner.
- The microwave oven is intended to be used free-standing.
- Do not place this microwave into a cabinet.

Caution

- Do not overcook food.
- Remove wire twists from paper and plastic bags before placing in the oven.
- Do not heat oil or fat for deep frying in the oven as the temperature of the fat can't be controlled.
- After use wipe the waveguide cover with a damp cloth, followed by a dry cloth to remove any food splashes and grease. Built up grease may overheat and smoke or ignite.
- If materials inside the oven smoke or ignite, keep the door closed, turn oven off and disconnect the power supply in order to stifle any flames.
- **WARNING:** Liquids and other foods must not be heated in sealed containers since they are liable to explode; Baby bottles fitted with a screw cap or teat are considered sealed containers.
- Liquids should be heated in a wide mouthed container and left for a short period after the heating cycle to avoid possible hazards such as delayed eruptive boiling of the liquid. Therefore care must be taken when handling the container.
- Potatoes, sausage and other skinned foods should be pierced before heating.
- Eggs in their shell and whole hard-boiled eggs should not be heated in microwave ovens since they may explode, even

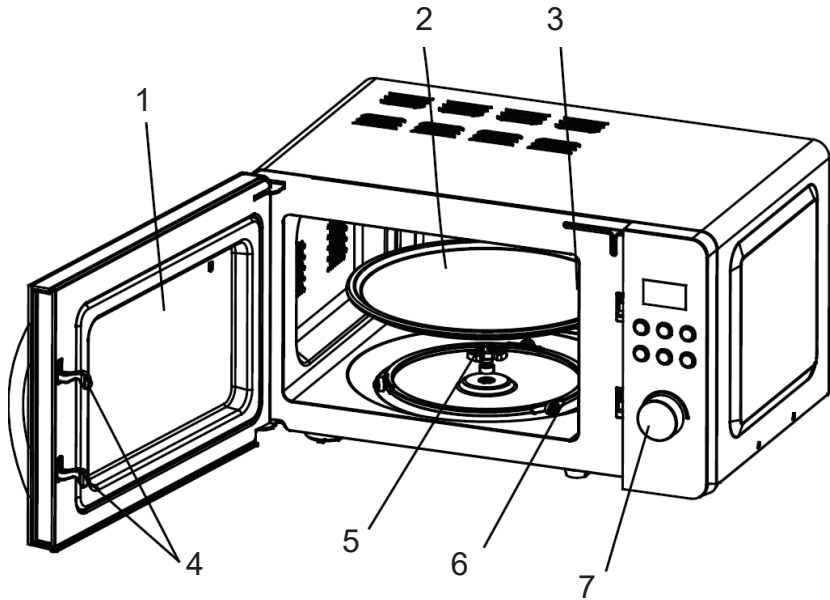
after the microwave heating has ended.

- Only use utensils suitable for use in a microwave oven.
- Do not store food or other items in the oven.
- Do not operate the oven without any food or liquid inside, this may damage the oven.
- **WARNING:** If the door or door seals are damaged or if the oven has malfunctioned, the oven must not be operated until it has been repaired by a competent person. It is hazardous for anybody other than a suitably qualified person to carry out any service or repair that involves the removal of a cover which gives protection against exposure to microwave energy.
- This microwave oven is intended for the heating of food and beverages. The drying of clothes, heating of warming pads, slippers, sponges and cloths may lead to risk of injury, ignition and fire.
- The oven should be cleaned regularly and any food deposits removed.
- Failure to maintain the oven in a clean condition could lead to deterioration of the surface that could adversely affect the life of the appliance and possibly result in a hazardous situation.

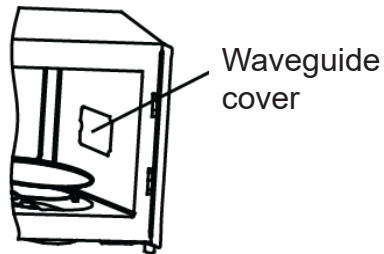
Installation

- Select a level surface no less than 85cm (33 inches) from the floor, that provides enough space for the outlet vents.
- A minimum clearance of 5cm (2 inches) is required between the oven and any adjacent wall, with a minimum clearance of 10cm (4 inches) between the rear of the microwave and the wall.
- Leave a minimum clearance of 20cm (8 inches) above the oven.

Features



1. Mirror window
2. Glass turntable
3. Waveguide cover
4. Door lock
5. Turntable support
6. Turntable ring
7. Control panel



The door of the microwave oven must be fully closed in order for it to operate, this is due to a safety interlock between the locking mechanism and the control panel.

Place the turntable ring first, fit the turntable onto the rotating turntable support and make sure it is geared in properly

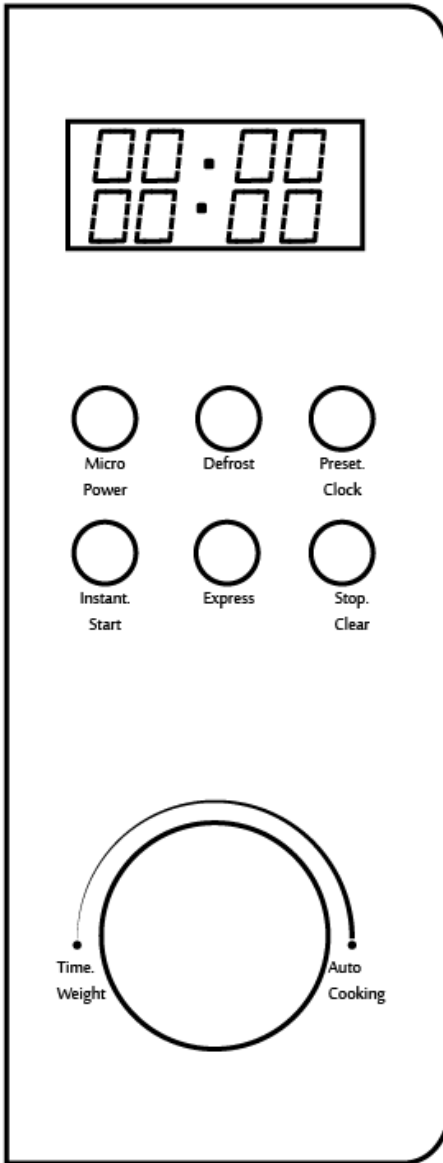


Warning

Never remove the waveguide cover

Make sure the turntable support is correctly located

Control panel



Initial set up

The LED display flashes 3 times when plugged into the power supply. The display will then show “:”, prompting you to input a cooking menu and the time

Time.Weight/Auto Cooking

Increase or decrease cooking time or weight. Turn to choose from the Auto cooking menu

Stop.Clear

Press once to cancel an input. During cooking press once to stop cooking, press twice to cancel the program

Auto reminder

When cooking has finished the LED display will show END and 3 beeps will sound to prompt you to remove the food. If **Stop/Clear** is not pressed the beeps will resound at an interval of 3 minutes

Preset.Clock

Allows you to set the current time and input a pre-set time

Instant. Start

Press to start instant cooking

NOTE: If the microwave oven is not used for 2 minutes it will automatically go into standby mode. To start cooking, open and close the door and press the Instant.Start button

Setting the clock

For example to set the clock for 12:30

1. After the microwave oven is plugged into the power supply the display will show “:”.
2. Press the **Preset.Clock**, the display will show **0:00**.
3. To set the hour, turn the **Time.Weight/Auto Cooking** knob to **12:00**.
4. Press the **Preset/Clock** button to confirm. The minutes will flash.
5. To set the minutes, turn the **Time.Weight/Auto Cooking** knob to **12:30**.
6. Press the **Preset.Clock** button to confirm or wait 5 seconds and the display will show the time automatically.

Instant.start

You can start to microwave cook immediately, without setting an auto programme, just press the **Instant.Start** button. The time starts at 1 minute and goes up in 10 second increments. To pause or cancel any cooking program, press the **Stop.Clear** button.

NOTE: If the microwave oven is not used for 2 minutes it will automatically go into standby mode. To start cooking, open and close the door to activate the Instant.Start button

Microwave cooking

Press the **Micro.Power** button, the LED display show:

High Power	100P	100% microwave power for quick and thorough cooking
Medium High Power	80P	80% microwave power for medium express cooking
Medium Power	60P	60% microwave power for steaming food
Medium Low Power	40P	40% microwave power for defrosting
Low Power	20P	20% microwave power for keeping food warm



The maximum time which can be set is 60 minutes.
Never operate the microwave oven when empty.

Caution

- If you want turn the food during cooking, open the door, turn the food and press the **Instant.Start** button once and the cooking time will continue.
- If you intend to remove the food before the pre-set time, you must press **Stop.Clear** button twice to clear the pre set program.

For example, to cook at 80P for 10 minutes

1. Press the **Micro.Power** button until the display shows 80P.
2. To set the time, turn the **Time.Weight/Auto Cooking** knob until the display shows **10:00**.
3. Press the **Instant.Start** button and the LED display will count down to show the time remaining.

Defrost

Press the **Defrost** button, the LED display will show d.1, d.2 and d.3.

d.1	Defrost meat from 0.1kg to 2.0kg
d.2	Defrost poultry from 0.2kg to 3.0kg
d.3	Defrost seafood from 0.1kg to 0.9kg



It is important to turn food during defrosting to make sure it is defrosted thoroughly. Check using a knife to make sure that food is defrosted, a knife should go through the food with ease.

Caution

For example, to defrost 0.4kg of poultry

1. Press the **Defrost** button to set the food type, the display will show **d.2**.
2. To set the weight, turn the **Time.Weight/Auto Cooking** knob until the display shows **0.4**.
3. Press the **Instant.Start** button. During the defrost time the microwave will sound 3 beeps to remind you to turn over the food. Open the door, turn over the food and press **Instant.Start** button to continue defrosting.

Using the Auto menu

1. Turn the **Time.Weight/Auto Cooking** knob, the LED display will show A.1, A.2 and so on up to A.8.
2. After setting the Auto menu, press the **Instant.Start** button, the timer will now start to count down.

Display	Food	Weight
A.1	Popcorn	Suitable for popping an 85g bag of popcorn which is available from the Supermarket. Should the popping sound decrease towards the end of the time to 1-2 per second, press the Stop.Clear button
A.2	Popcorn	Same as A.1 except for 100g
A.3	Pizza	Reheat 150g of chilled Pizza
A.4	Tea or Coffee	250ml
A.5	Tea or Coffee	500ml
A.6	Potato	450g sliced potato - place into a large dish and cover with cling film
A.7	Potato	Same as a A.6 except for 650g
A.8	Fish	Steam 450g fish. Place the fish into and shallow dish and season, cover the dish with cling film. After cooking has finished leave to stand for 2 minutes

Auto Start with timer delay function

You can pre-set a cooking time for later in the day, this consists of 2 steps:

Step 1 - Setting the clock

Step 2 - Setting the cooking menu and time

For example if the time is now 12:30 and you want the cooking time to start at 14:30 with 100P microwave power for 9 minutes and 30 seconds. Check the display clock is set to the correct time.

1. Select the cooking power by pressing the **Micro.Power** button until the display shows **100P**.
2. Turn the **Time.Weight/Auto Cooking** knob to set the cooking time, the display will show **9:30**.
3. Press and hold the **Preset.Clock** button for 3 seconds to return to the current time on the display clock.
4. Set the cooking start time to **14:30** by turning the **Time.Weight/Auto Cooking** knob.
5. Press the **Preset.Clock** button to set the hour at **14:00**
6. Set minutes by turning the **Time.Weight/Auto Cooking** knob until the display shows **14:30**.
7. Press the **Preset.Clock** button to confirm the delayed cooking time. The delayed cooking time has now been set and cooking will start at **14:30**.
8. You can check the pre-set starting time by pressing the **Preset.Clock** button.

Multi-Sequence cooking

For the best cooking results, some recipes call for a different cooking mode and time. You can program your personalised menu as follows:

For example, if you want to cook with 100P microwave power for 3 minutes then 20P microwave power for 9 minutes.

1. Press the **Micro.Power** button until the display shows **100P**
2. Turn the **Auto Cooking/Time.Weight** knob to set the cooking time, the display will show **3:00**.
3. Press the **Micro.Power** button until the display shows

20P.

4. Turn the **Auto Cooking/Time.Weight** knob to set the cooking time, the display will show **9:00**.

5. Press the **Instant.Start** button to start cooking.

When the microwave has finished cooking at 100P it will automatically start to cook at 20P. A maximum of 4 cooking sequences can be set.

Express Cooking

The express button allows you to heat up beverages or food conveniently with using a set menu. The time starts at 1 minute and goes up in 30 second increments. For example to heat for 1 minute 30 seconds:

1. Press the **Express** button until the display shows **0:30**, the time will automatically. The time will go up increments of 30 seconds.
2. To pause or cancel any express cooking, press the **Stop**.



Caution

The temperature of food before using the auto cooking function should be between 20-25°C, a higher or lower temperature before cooking would require an increased or decreased cooking time.

The temperature and weight of foods largely effect cooking times, if any foods deviate from the auto weights, for best results adjust the cooking time.

Child lock function

The control panel can be locked so that children cannot use the microwave oven, or for when you are cleaning it.

- To set the child lock - hold the **Stop.Clear** button for 3 seconds. The display will show **OFF**.
- To cancel the child lock - hold the **Stop.Clear** button for 3 seconds. The display will show the time.

Utensils guideline

It is recommended that only utensils and containers marked safe for microwave use should be used in this microwave oven. As a general rule containers made from heat resistant ceramic, glass or plastic are suitable for microwave cooking. Never use metal containers for microwave cooking as sparks are likely to occur.

Material of container	Microwave	Notes
Heat resistant ceramic	Yes	Do not use ceramics that have a gilt or metal rim
Heat resistant plastic	Yes	Should not be used for extended cooking times
Heat resistant glass	Yes	
Plastic film	Yes	Should not be used for cooking meats as the higher temperatures may damage the film
Grill rack	No	
Metal containers	No	Microwaves cannot penetrate through metals
Lacquer	No	Poor heat resistance
Bamboo, wood, paper	No	Poor heat resistance and risk of ignition

Cleaning



Warning

Remove the power cord from the wall outlet before cleaning. Don't immerse the appliance in water or other fluids when cleaning.

- Wipe the exterior with soft damp cloth and dry thoroughly.
- Using a soft damp cloth, wipe clean the interior of the door and door seals, interior cavity to remove any spill or spatter and dry thoroughly.
- Do not remove the waveguide cover. Wipe clean the waveguide cover making sure this is free from food residue, this is located on the cavity wall on the right hand side.
- Wash the glass turn table, turntable ring and support in warm soapy water and dry thoroughly.

Some foods, for example fish can leave an odour which may linger, to refresh the cavity follow one of the 3 methods below:

Method 1 - Distilled Vinegar

1. Add 1 cup of water and 1/2 cup of distilled vinegar to a microwave-proof bowl or plastic container and place in the centre of the oven.
2. Heat on high for 2 minutes 30 seconds or until the solution boils or gives off steam.
3. Leave to cool for 15 minutes before opening the door.
4. Open the door, remove the bowl and glass turntable, then wipe the microwave with a clean damp cloth. Wipe over the glass turntable and return to the microwave.

Method 2 - Lemon

1. Cut a lemon in two and squeeze the lemon into a microwave-proof bowl or plastic container, add 1 cup of water and place in the centre of the oven.
2. Heat on high for 2 minutes 30 seconds or until the solution boils or gives off steam.
3. Leave to cool for 15 minutes before opening the door.
4. Open the door, remove the bowl and glass turntable, then wipe the microwave with a clean, damp cloth.
5. Wipe the glass turntable before replacing.

Method 3 - Bicarbonate of soda

1. Add 1 cup of water and 2 tbsp bicarbonate soda to a microwave-proof bowl or plastic container and place in the centre of the oven.
2. Heat on high for 2 minutes 30 seconds or until the solution boils or gives off steam.
3. Leave to cool for 15 minutes before opening the door.
4. Open the door, remove the bowl and glass turntable, then wipe the microwave with a clean, damp cloth.
5. Wipe the glass turntable before replacing.

WARNING: Only allow children to use the oven without supervision when adequate instructions have been given so that the child is able to understand the hazards of improper use.

Cooking Tips

- Place thicker areas towards outside of food container, the thinner parts towards the centre and spread evenly. Do not overlap if possible.
- Start cooking with a shorter time setting, evaluate it after the time finishes and extend the cooking time if needed. Over cooking can result in smoke and burnt food.
- Food such as chicken, burgers or steak should be turned once during cooking.
- Depending on the food type, if applicable stir from the outside inwards to the centre of the dish once or twice during cooking.
- Make sure meat is cooked thoroughly there should be no signs of pink in the meat or in the meat juices.

Electrical Connections

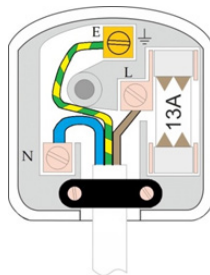
This appliance is fitted with a fused three-pin plug to BS 1363. If the plug has to be removed, it should be cut off and carefully disposed of immediately. To avoid a possible shock hazard, do not insert the discarded plug into a mains socket.

Fitting a new plug

If for any reason you need to fit a new plug, the flexible mains lead must be connected as shown below. The wires in the mains lead fitted to this appliance are coloured in accordance with the following code:

Connect Green & Yellow to Earth (E)

Connect Blue to Neutral (N)



Connect Brown to Live (L)

Ensure the outer sheath of the mains lead is securely held by the cable clamp

The Blue wire must be connected to the terminal marked N or coloured Black.

The Brown wire must be connected to the terminal marked L or coloured Red.

The Green and Yellow wire must be connected to the terminal marked E or coloured Green.

Check that there are no cut or stray strands of wire inside the plug.

Use a 13 Amp BS 1362 fuse, only use BSI or ASTA approved fuses.

If you are in any way unsure which plug or fuse to use, always refer to a qualified electrician.

After replacing or changing a fuse on a moulded plug, the cover must be refitted to the plug; the appliance must not be used without a fuse cover.



Servicing

Warning

Servicing and repairs should only be carried out by qualified service persons.

Some components still retain a high voltage charge even when the microwave oven is disconnected from the mains supply, never remove covers or guards.

If any part of the oven or cord become damaged stop using it immediately and seek advice from a qualified service person.

Technical Data

Protection	:	Class 1
Voltage	:	220-240V AC 50Hz
Rated power (input)	:	1280W
Rated power (output)	:	800W
Microwave frequency	:	2450MHz
Model number	:	SDA1698 Black SDA1704 Grey SDA1707 Navy

THE SKANDIK COLLECTION

GUARANTEE

This product is guaranteed for 2 years from the date of original purchase. If any defect should occur due to faulty materials or workmanship, please return it to the store it was purchase from.

You will need to have your receipt of purchase to hand. The guarantee is subject to the following provisions:

- It is only valid within boundaries of the country of purchase.
- The product must be correctly installed and operated in accordance with the instructions contained in the user manual.
- The product must be used solely for domestic purposes.
- The guarantee will be rendered invalid if the product is re-sold or has been damaged by inexpert repair.
- The manufacturer disclaims any liability for incidental or consequential damages.
- The guarantee is in addition to, and does not diminish, your statutory or legal right.



Waste electrical products should not be disposed of with household waste. Please recycle where facilities exist. Check with your Local Authority or retailer for recycling advice.



ESG Ltd
Manchester M3 1JS

www.esgltd.com